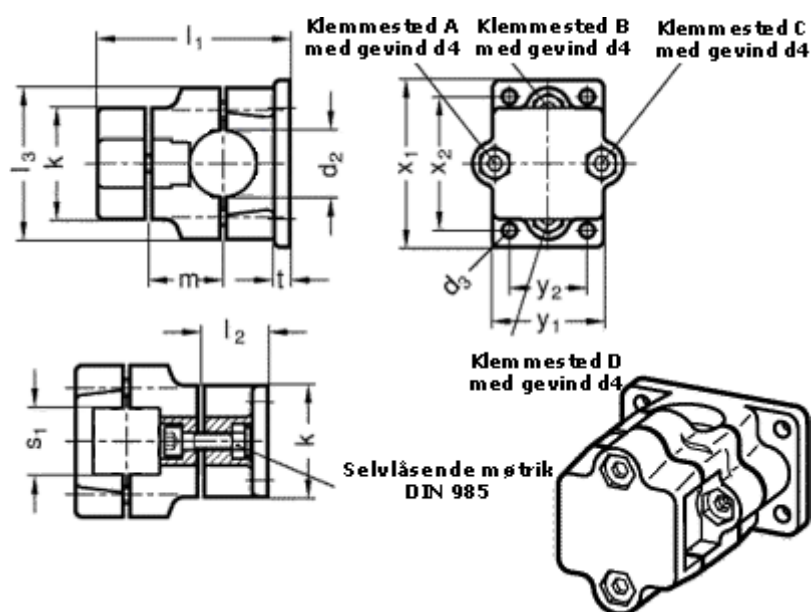


Article number: 20141V40B402BL

Description: E+G two-way connecting clamp  
GN141-V40-B40-2-BL

## Measures



Adjustable clamp lever = GN 911-M10-63 have to be ordred separately

d2	= 40
d3	= 11
d4	= M10
k	= 76
l1	= 136
l2	= 46
l3	= 98

m	= 55
s1	= 40
t	= 14
x1	= 115
x2	= 90
y1	= 76
y2	= 50